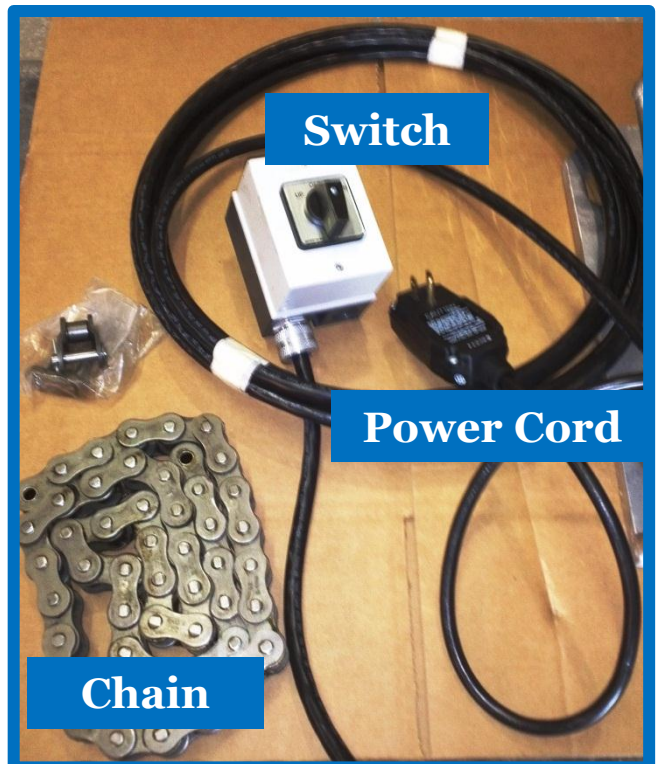
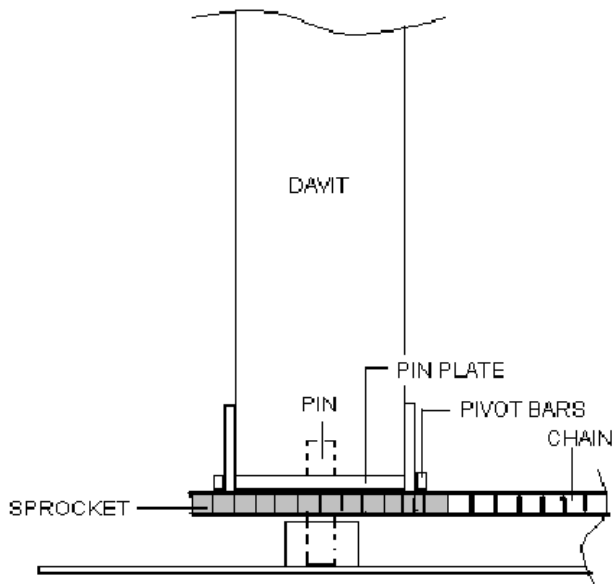


POWER PIVOT INSTALLATION GUIDE 2014



- The Power Pivot is designed to fit all Davit Master davits from the B3000 through B10,000.
- The Power Pivot may also be used on davits by others.
- The Power Pivot is only for davits that are installed on concrete seawalls or bases.

POWER PIVOT INSTALLATION



DAVITS BY OTHERS: REQUIRED INFORMATION

1. (Fig. 1) When installing the Power Pivot on davits by others,, the width of the mast (A) and the diagonal distance between any upright braces (B) must be identified.
2. (Fig. 2) The diameter and length of the davit base pin must also be identified.

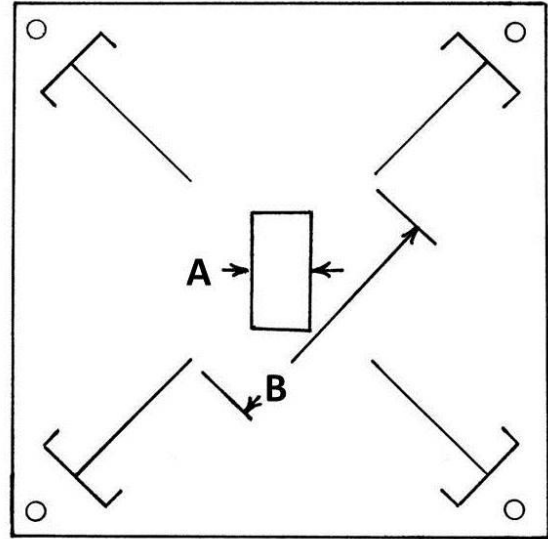


FIG. 1

DAVIT BASE AND POWER PIVOT BASE LAYOUT

1. Davit Base and Power Pivot Base layout is shown in (Fig. 2)
2. For standard Davit Master Eight Hole base patterns, use two of the existing bolts as shown plus install two anchor bolts to correspond with a pair of the (A) hole locations.
3. Other brand davit bases may require drilled mounting holes as well as anchor bolts for (A) hole locations.

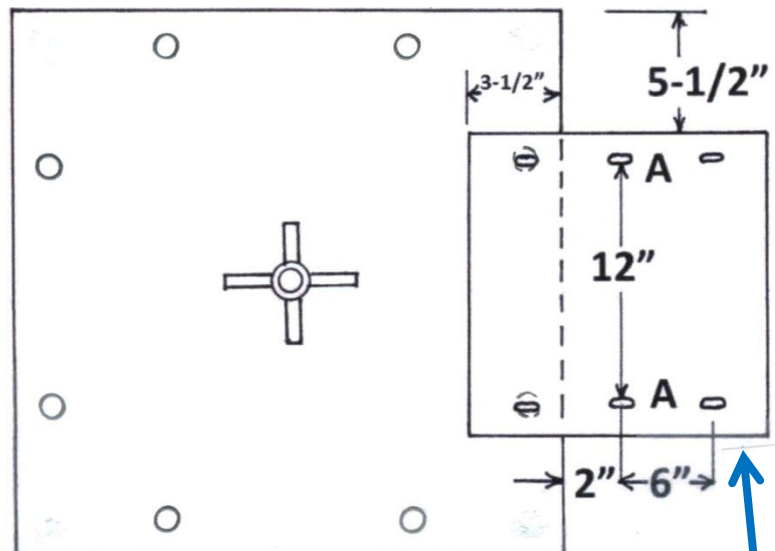


FIG. 2

**Use spacer washers
under the PP Base**

POWER PIVOT INSTALLATION

1. Swing Stern Davit over land and lock in place.
2. Loosen all mounting nuts and remove only the inboard nuts.
3. Tilt davit toward water and slide a 2x4 board at least 24" long under the edge of base on land side up to mounting bolts, this will protect the threads during next step.
4. Make sure lock is tight, then remove last two mounting nuts and then tilt davit back toward land until end of davit touches ground.
5. Loosen lock and place board between top ting of base and ground.
6. Slowly slide davit arm out of base about 6". Place shim button into the pivot cup curved side down.
7. Slide Drive Sprocket over pivot pin with drive bars toward davit arm, and then slowly return the davit arm back into the base, making sure that pivot pin goes back into pivot cup properly. Replace davit lock and tighten.
8. With help, slowly stand davit back up into mounting holes, being careful not to damage threads on mounting bolts, replace the two outboard nuts loosely, tilt toward water and remove 2x4 board, replace remaining nuts and washer and tighten.
9. Place power pivot base to the left, right or rear of davit base and between the channel braces. Slide Power pivot in toward center of davit base a distance of 3-1/3" and over from edge of base 5-1/2". **See Fig. 2**
10. Use square to check alignment and mark foundation with chalk or marker in four places. Remove power pivot base.
11. Drill proper size hole in foundation at spots marked (5/8" fasteners at least) to a depth, so that a minimum of 2" extends above the foundation.
12. Place power pivot base back onto davit base and foundation through which anchor bolts is inserted.
13. Insert anchor bolts, nuts, washers. Do not tighten at this time.
14. Install chain around drive sprocket at base of davit and small sprocket on power pivot, use connector link and offset link if necessary.
15. Tighten anchor bolts part way and tension chain using tension bolts located next to rear mounting holes then tighten down under anchor bolts.

NOTE: Steel shims are supplied with system. A 1/2" disc for models up to the B5500 and a 5/8" disc for models B6500 and larger. It is very important that shims are inserted into base pivot cup before reinstalling the davit. The purpose of the disc is to elevate the davit pin to compensate for the thickness of the sprocket. This keeps pressure off of the sprocket and frees it to spin.